

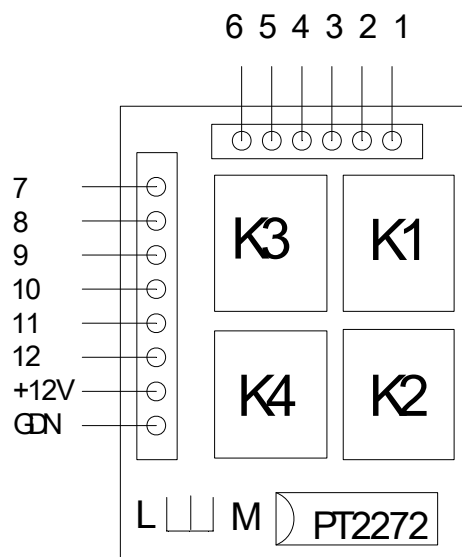
FC-454-C4

Four Channel Wireless Receive Controller

1. Summary

Wireless Receive Controller is also named as wireless remote switch. It's widely used in automatic door, window, crane device, brake, industrial control, safeguard and security area. This product has features of high security, stable performance and low power consumption. It's easy to install and convenient to use.

2. Schematic of PCB:



3. Technical Specification

- 1) Work Frequency: 315MHz, 433.92 MHz
- 2) Power supply: 12V DC (6V, 12V, 24V optional)
- 3) Static work current: $\leq 6\text{mA}$
- 4) Sensitivity: -105dBm
- 5) Output Control Voltage: DC, AC optional
- 6) Output current: $\leq 10\text{A}$
- 7) Control state: Interlock (L): The jumper on the left (L) side. Non-Lock (M): The jumper on the right (M) side, Squagging(T)
8. Channels: Four

4. Definition of contact points

- 1: OFF 4: OFF 7: OFF 10: OFF
 2: Public 5: Public 8: Public 11: Public
 3: ON 6: ON 9: ON 12: ON